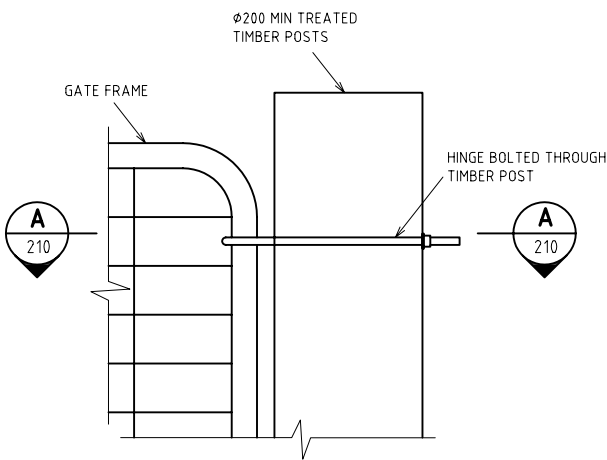
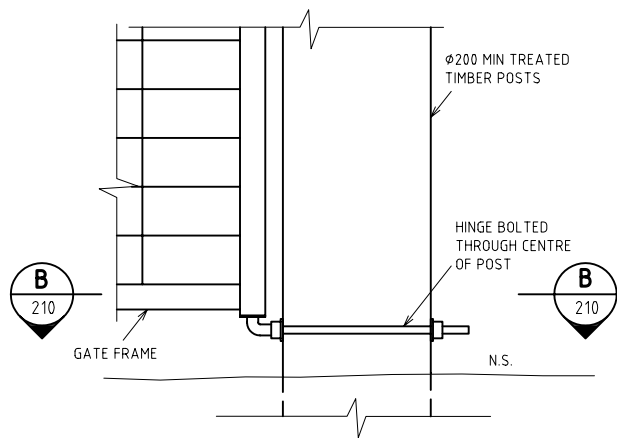


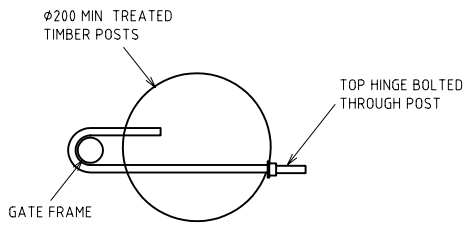
**LIGHT DUTY GATE ARRANGEMENT**



ELEVATION

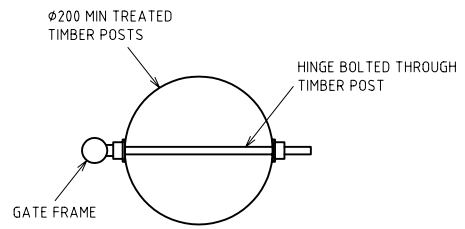


ELEVATION



SECTION A-A

**TOP HINGE**



SECTION B-B

**BOTTOM HINGE**

A	Developed for LDM 2006	09.06
REV	NOTE	DATE



DRAINAGE STANDARD DRAWING  
LIGHT DUTY ACCESS GATE

DRG NO. 7251/8/210 REV A  
Scale N.T.S.