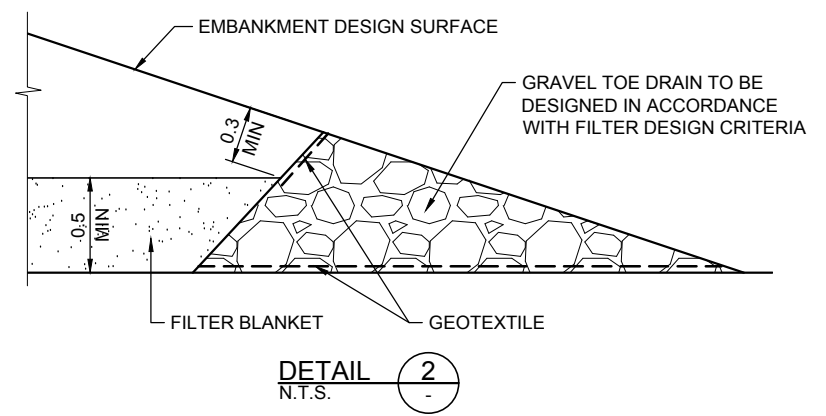
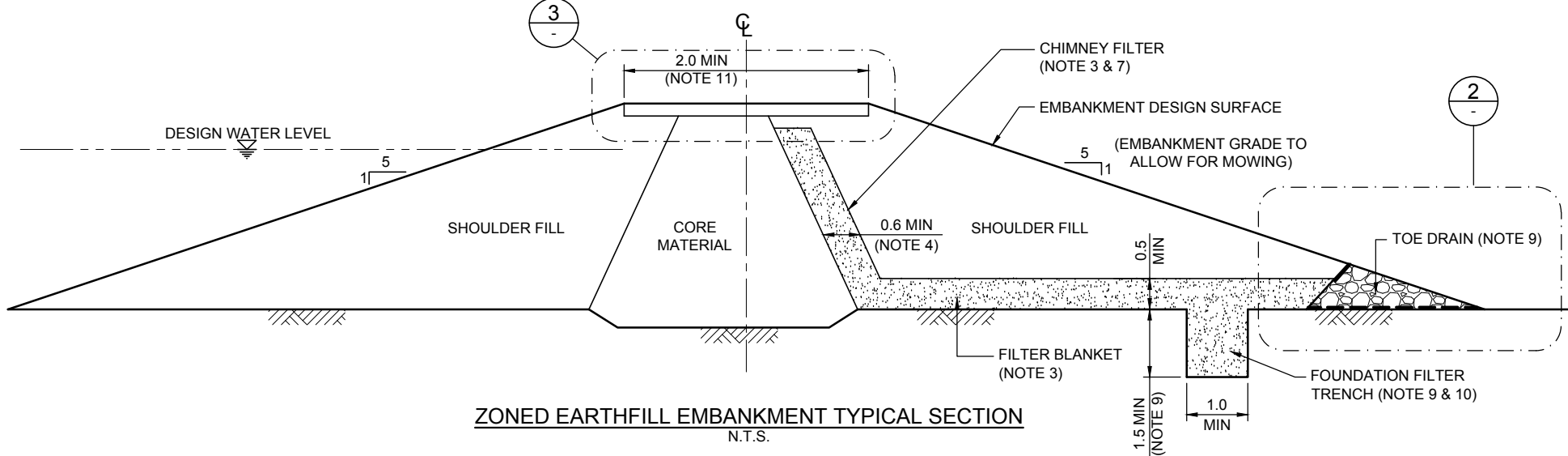


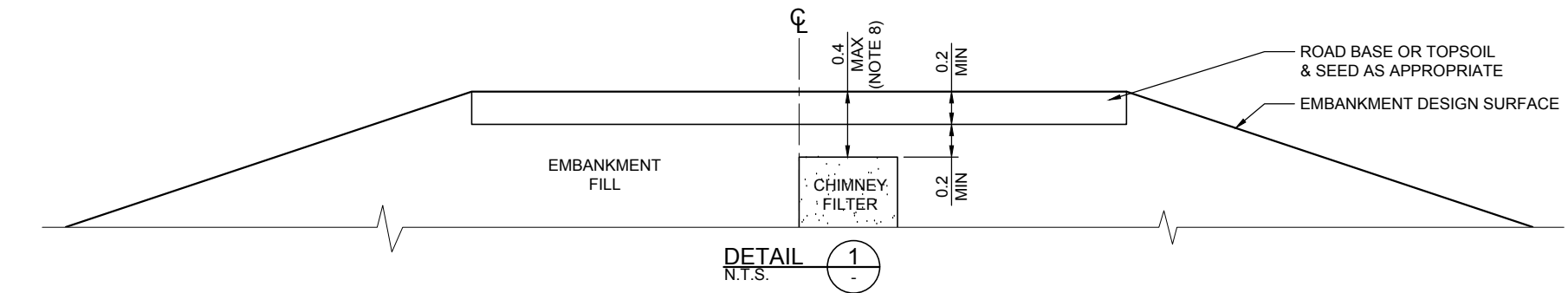
HOMOGENEOUS EARTHFILL EMBANKMENT TYPICAL SECTION  
N.T.S.



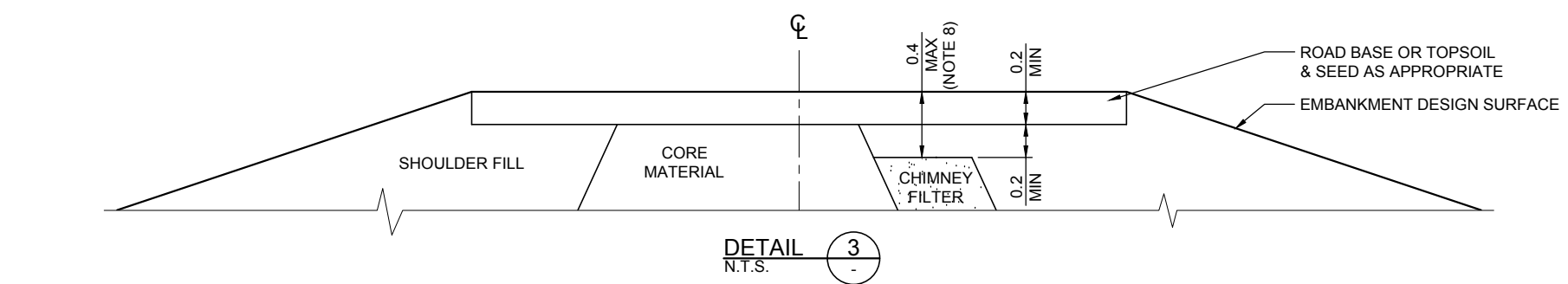
DETAIL 2  
N.T.S.



ZONED EARTHFILL EMBANKMENT TYPICAL SECTION  
N.T.S.



DETAIL 1  
N.T.S.



DETAIL 3  
N.T.S.

**NOTES: ALTERNATE - TYPICAL TOE DRAIN OUTLET**

- REFER TO DRAWING 7251/11/001 FOR GENERAL NOTES.
- ALL DIMENSIONS ARE IN METRES UNLESS OTHERWISE SPECIFIED.
- EXTEND CHIMNEY AND BLANKET FILTER FULL LENGTH OF EMBANKMENT FROM ABUTMENT TO ABUTMENT FOR EMBANKMENTS WHICH HAVE A HAZARD/CONSEQUENCE OF SIGNIFICANT OR HIGHER AND EMBANKMENT HEIGHT GREATER THAN 3m.
- THICKNESS SHOULD NOT BE LESS THAN 0.5m MEASURED NORMAL TO SLOPE.
- DESIGNER TO CONSIDER GRADATION COMPATIBILITY OF FILTER AND SHOULDER FILL MATERIALS.
- WHERE CONDUITS PASS THROUGH EMBANKMENT CHIMNEY FILTER & BLANKET TO FULLY ENCASE CONDUITS SIMILAR TO DETAILS SHOWN ON DRAWING 7251/11/003 & 7251/11/004.
- CHIMNEY FILTER LOCATION TO BE DOWNSTREAM OF CUTOFF TRENCH CORE ZONE AND EMBANKMENT CENTRELINE.
- TOP OF CHIMNEY FILTER TO EXTEND TO WITHIN 400mm OF EMBANKMENT CREST LEVEL AND AT OR ABOVE DESIGN WATER LEVEL.
- DESIGN OF FOUNDATION FILTER TRENCH AND TOE DRAIN WITH DUE CONSIDERATION OF SITE SPECIFIC CONDITIONS.
- FILTER TRENCH NOT REQUIRED WHEN FOUNDED ON NON-ERODIBLE ROCK FOUNDATION.
- CREST WIDTH SHALL CONSIDER FUTURE INTENDED USAGE AND MAINTENANCE WORKS IE; VEHICLE (TYPE OF VEHICLE), PEDESTRIANS, BICYCLES, SHARED USER PATH, ETC.

Plotted: 9/22/17 7:50:47 AM File Name: C:\Users\llam.brimmer\Desktop\Ringwood Nth\26-SHEETS\7251-11-002.dwg

REV	DESCRIPTION	COMPANY	PROJECT	DRAWN	CHECKED	APPD	DATE
A	MW GUIDELINES FOR FLOOD RETARDING BASINS	AECOM					08.02.17



AECOM Australia Pty Ltd  
A.B.N 20 093 846 925  
www.aecom.com

**COPYRIGHT**  
Copyright - This document is the property of Melbourne Water. Use or copying of the document in whole or in part without the written permission of Melbourne Water constitutes an infringement of copyright.

DRAFTER	DESIGNER	DESIGN MANAGER	PROJECT MANAGER
LBB	CP	APPROVAL	APPROVAL
DRAFTING CHECK	ENGINEERING REVIEW		
	MF		

TITLE MELBOURNE WATER CORPORATION - EMBANKMENTS DESIGN GUIDANCE DRAWING RETARDING BASIN AND LEVEE EMBANKMENTS CHIMNEY FILTER AND FILTER BLANKET TYPICAL DETAILS			
PROJECT DATUM	Original Size	MELBOURNE WATER CORPORATION	
NA	A1	7251/11/002	
SCALE	AS SHOWN	CODE	MWC DRAWING NUMBER
			REV
			A