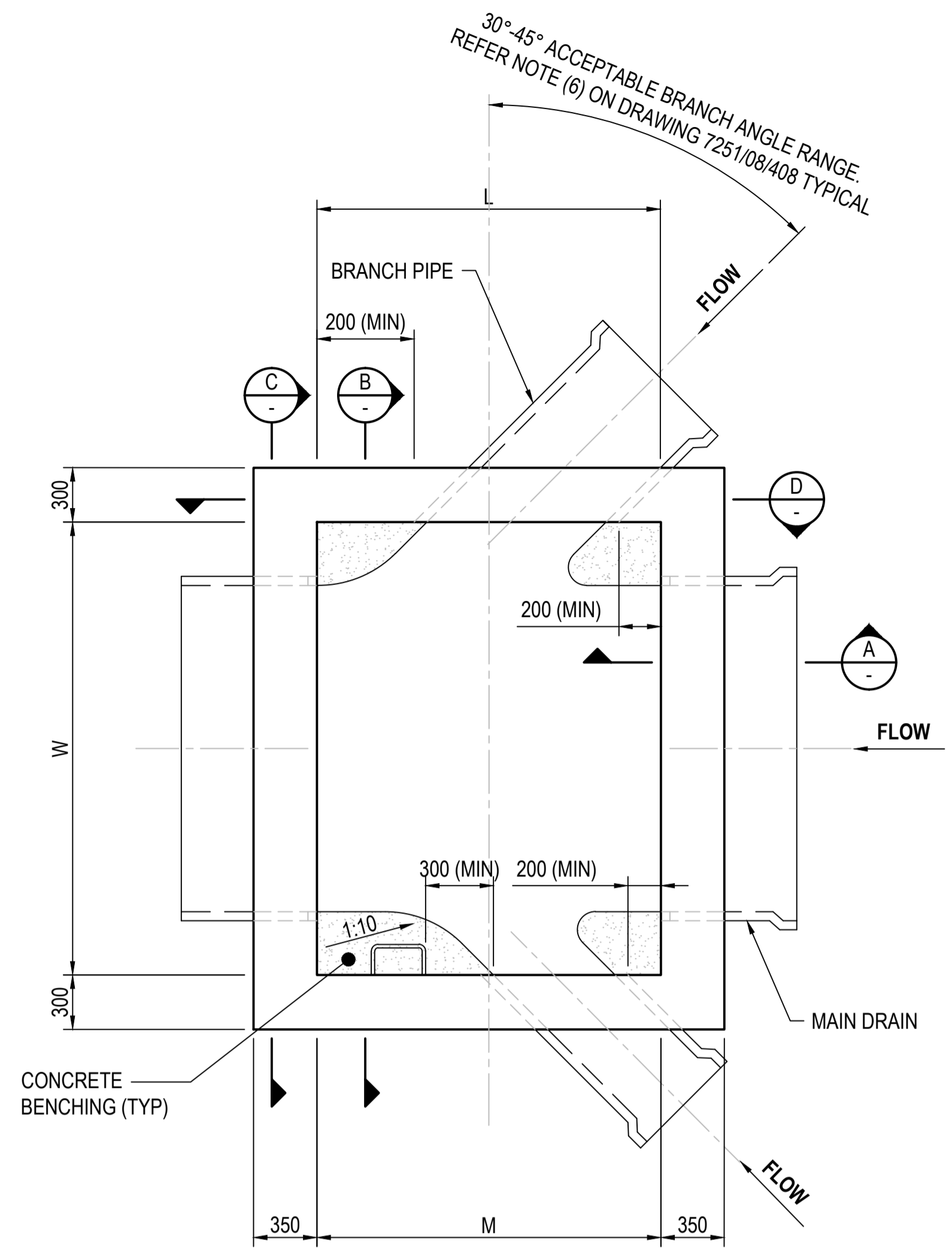
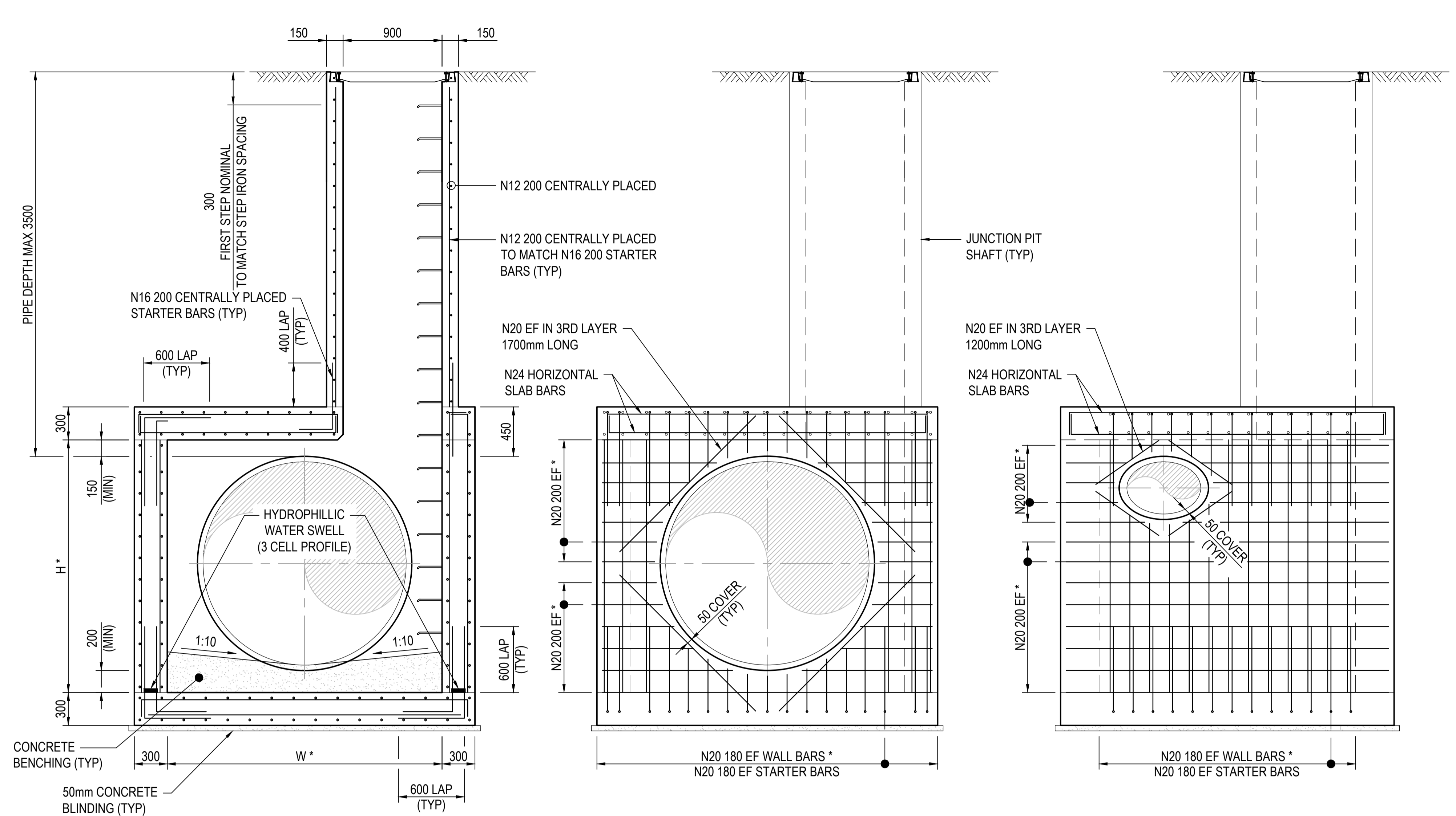


7251/08/409  
MWC DRAWING NUMBER

A  
REV  
CODE  
A  
B  
C  
D  
E  
F  
G  
H



KEY PLAN AT PIT LEVEL



\* REFER TABLE ON DRG 7251/08/408

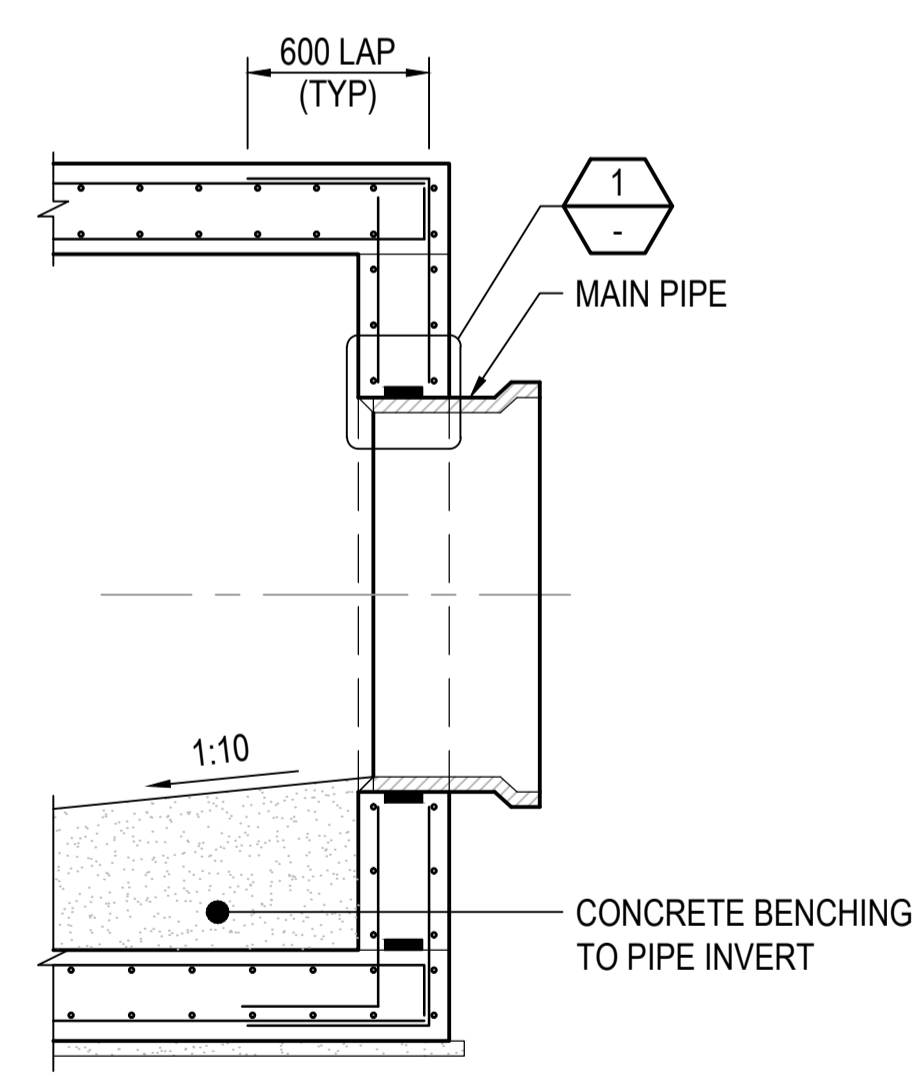
\* CUT OFF BARS 50mm CLEAR OF PIPE

\* CUT OFF BARS 50mm CLEAR OF PIPE

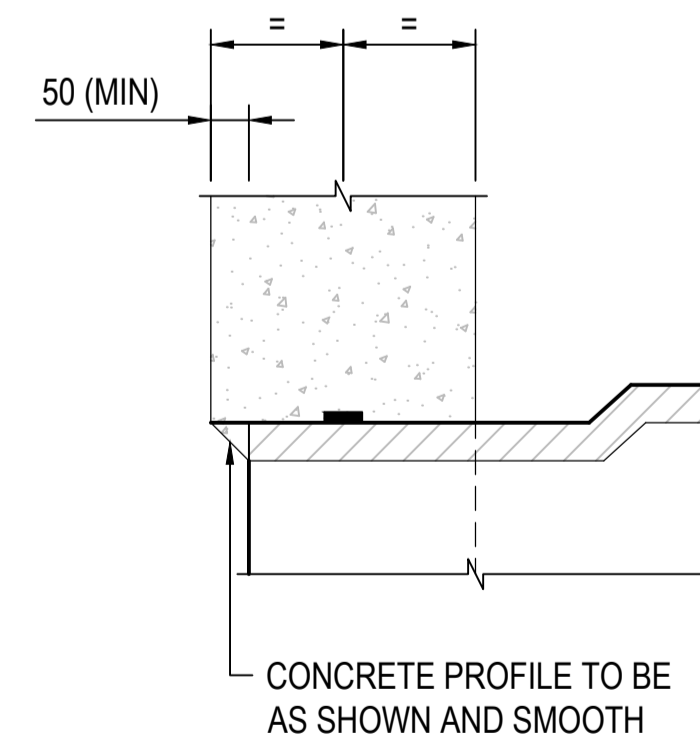
B SECTION  
408 / -

C SECTION  
408 / -  
(BASE REINFORCEMENT NOT SHOWN FOR CLARITY)

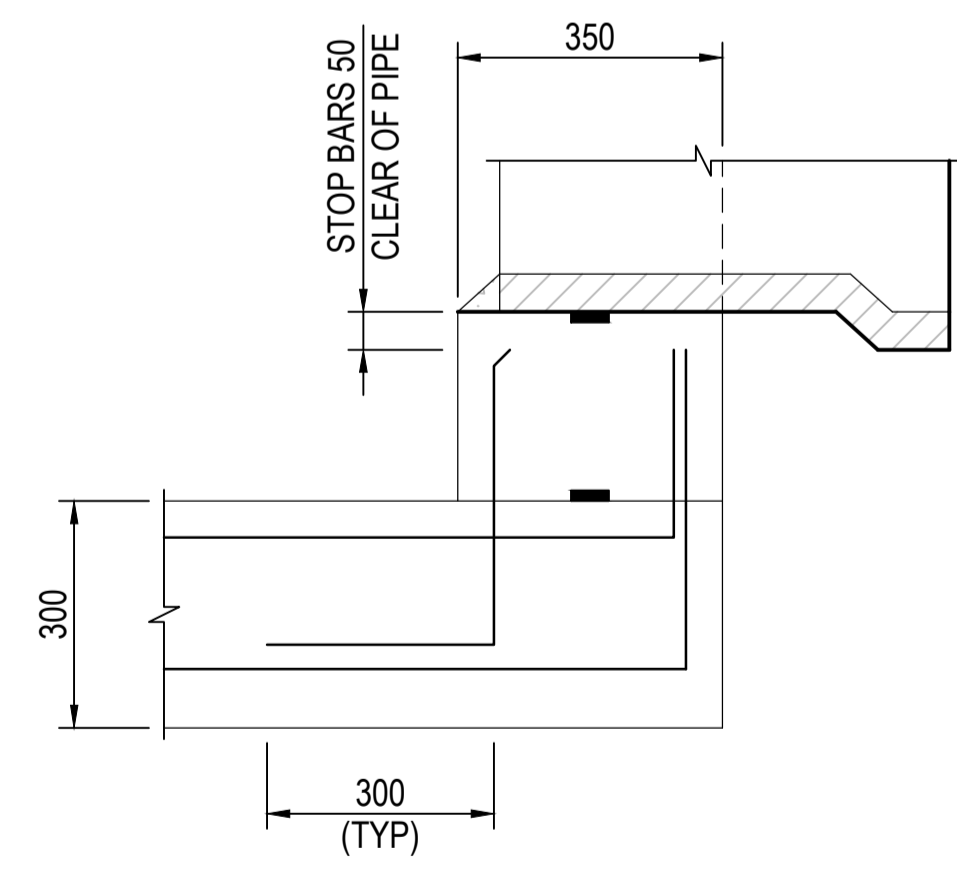
D SECTION  
408 / -  
(BASE REINFORCEMENT NOT SHOWN FOR CLARITY)



A SECTION  
408 / -

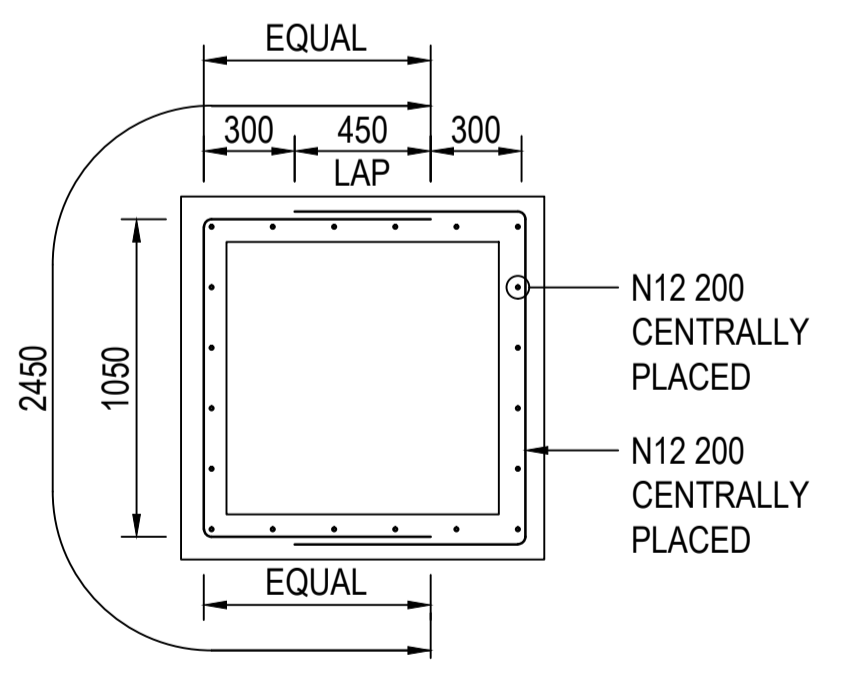


1 DETAIL



CORNER DETAILS

PLAN VIEW



SHAFT REINFORCEMENT DETAIL

\* REFER DRAWING 7251/08/408 FOR CONCRETE OUTLINE AND NOTES.

REV	DESCRIPTION	COMPANY	PROJECT OR WO NUMBER	DRAWN	ENG. CHECK	PR. MAN. APP'D	DATE
A	FIRST REVISION			RD	VY	RM	25.11.15

--	--	--	--	--	--	--	--

Melbourne Water  
DRAINAGE STANDARD DRAWINGS

DRAFTER RD	DESIGNER GT	DESIGN MANAGER APPROVAL RM	PROJECT MANAGER APPROVAL VY
DRAFTING CHECK BS	ENGINEERING REVIEW VY		

TITLE **JUNCTION PITS (≤3.5m DEEP) - SHEET 2 OF 2**  
FOR PIPELINES UP TO 1800mm DIAMETER

PROJECT DATUM	Original Size <b>A1</b>	MELBOURNE WATER CORPORATION	
SCALE NTS		7251/08/409	A
		MWC DRAWING NUMBER	REV