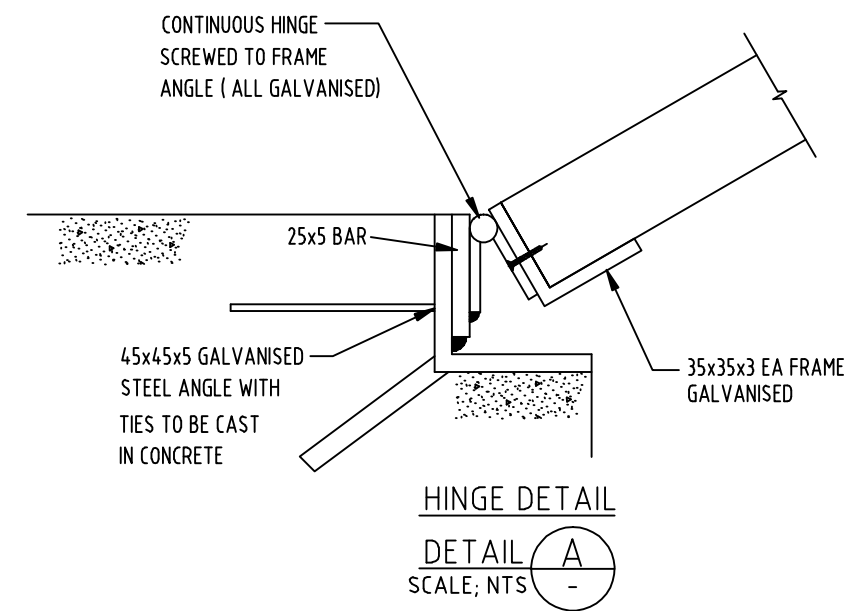



REMOVABLE GRATE SECTION
SCALE: NTS



HINGE DETAIL
DETAIL A
SCALE: NTS

				Drawn	B.G.	Designed	B.G.
				Drafting Check	I.V.	Design Check	I.V.
				Consultant Representative	I.V.	MWC Project Manager	S.H.
				Approved	S.H.	Consultant Drg Number	IVC-11-MWC-10
REF.	REVISION	DATE	APP'D.				
C	ISSUED DRAWINGS	23/11/15	I.V.				
B	REVISED DRAFT	25/08/15	I.V.				
A	DRAFT FOR REVIEW	02/11/11	I.V.				

 MELBOURNE WATER CORPORATION DEVELOPMENT OF STANDARD DRAWINGS DIVERSION STRUCTURES FOR STORMWATER HARVESTING - OPTION 3 SECTION C		SCALE	1:20	ORIGINAL SIZE	A3
		SHEET	10 OF 11		
MWC DRAWING NO				REV	
7251/10/010				C	