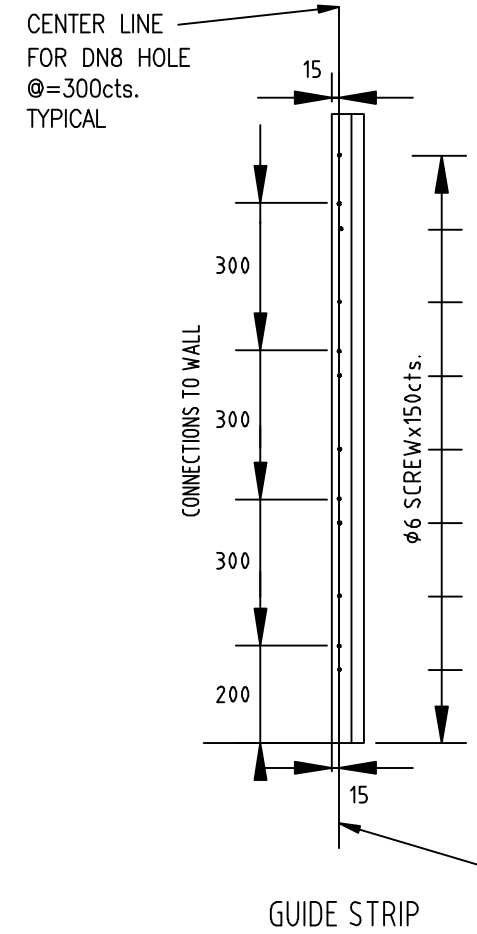
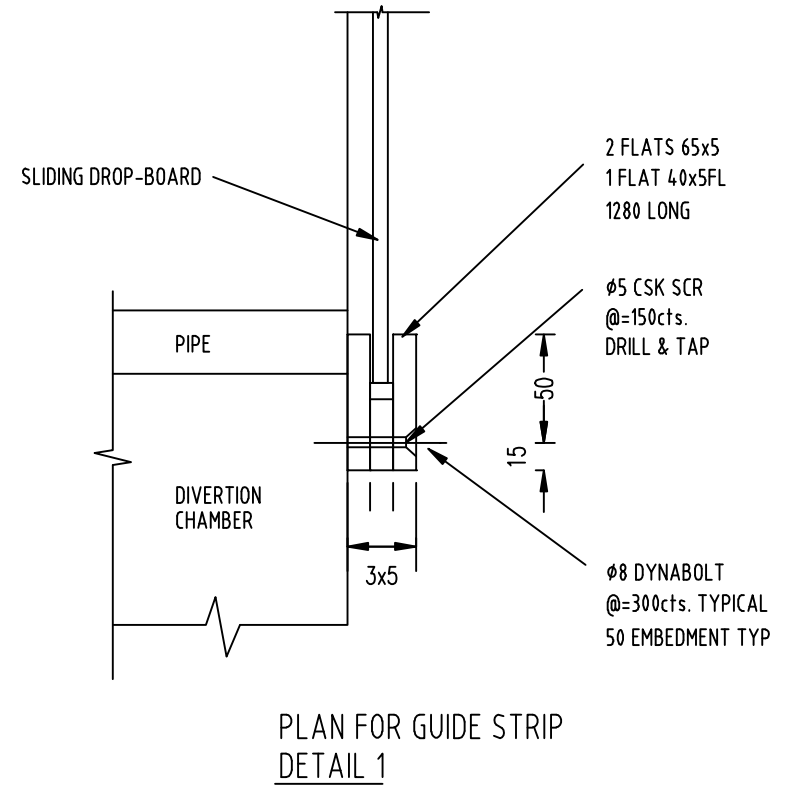


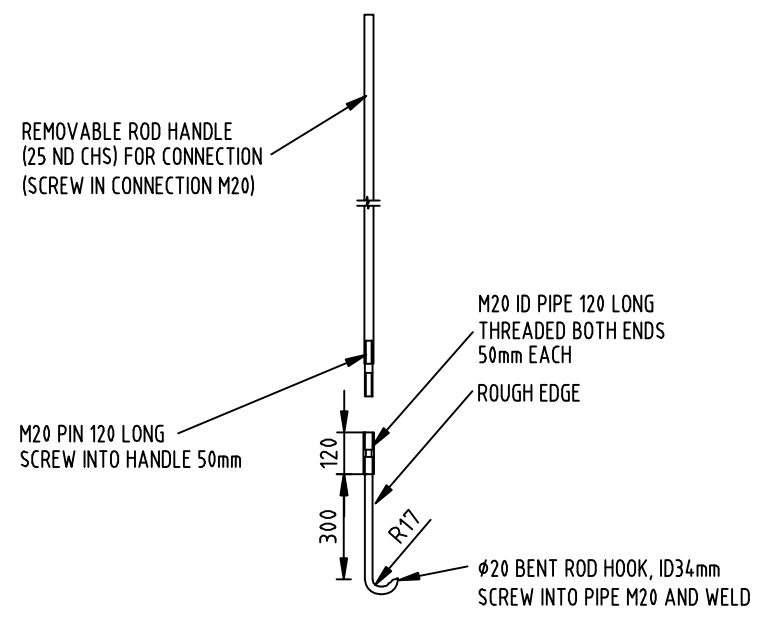
TYPICAL PIT STEP IRON DETAILS
SCALE 1:10



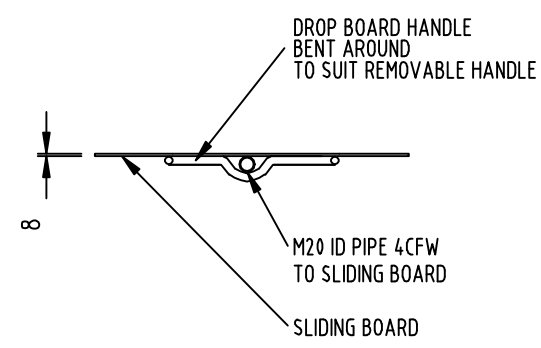
GUIDE STRIP
CENTER LINE FOR
Ø6 CSK SCR
@=150cts. TYP.



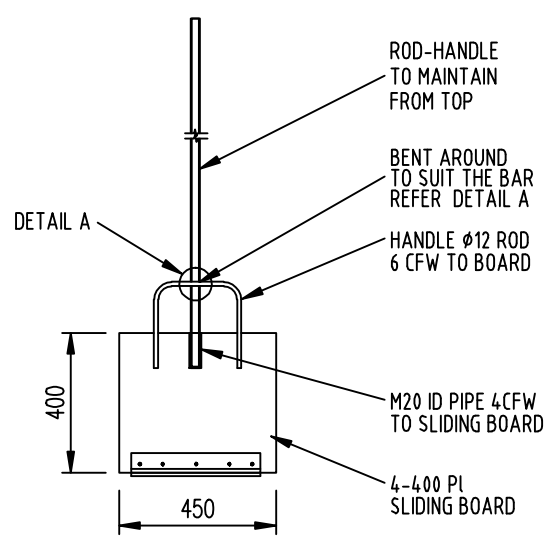
PLAN FOR GUIDE STRIP
DETAIL 1



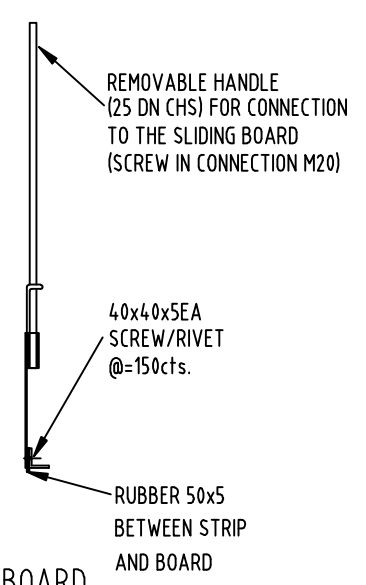
HOOK FOR REMOTE OPENING
OF THE HINGED GRATE



DETAIL A



DROP BOARD
FRONT ELEVATION




DROP BOARD
SIDE ELEVATION

ALL WORKWAYS, FIXED PLATFORM AND STAIRS ACCORDING TO AS1657-2013

				Drawn	B.G.	Designed	B.G.
				Drafting Check	I.V.	Design Check	I.V.
				Consultant Representative	I.V.	MWC Project Manager	S.H.
				Approved	S.H.	Consultant Drg Number	
REF.	REVISION	DATE	APP'D.			IVC-11-MWC-11	
C	ISSUED DRAWINGS	23/11/15	I.V.				
B	REVISED DRAFT	25/08/15	I.V.				
A	DRAFT FOR REVIEW	02/11/11	I.V.				

MELBOURNE WATER CORPORATION



**DEVELOPMENT OF STANDARD DRAWINGS
DIVERSION STRUCTURES FOR
STORMWATER HARVESTING - DETAILS**

SCALE	1:20	ORIGINAL SIZE	A3
SHEET	11 OF 11		
MWC DRAWING NO	7251/10/011		
REV	C		