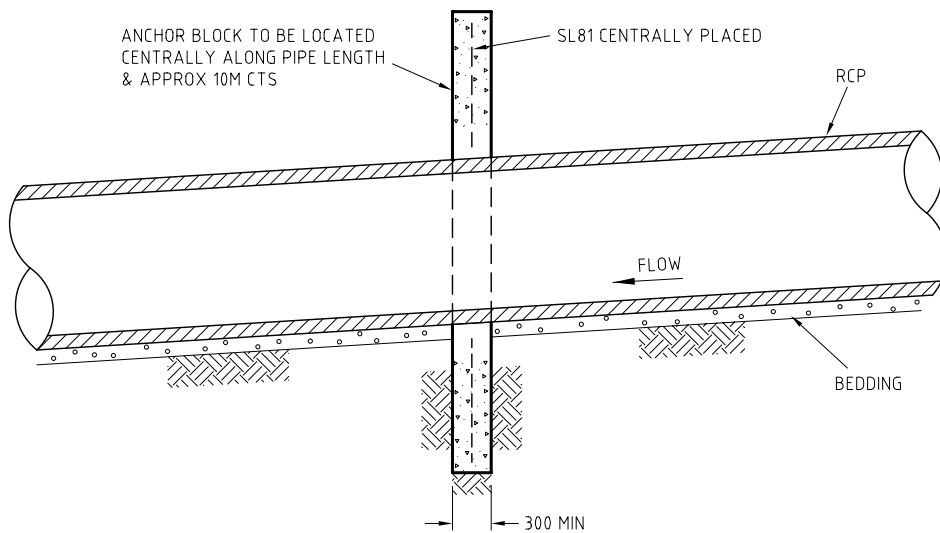


ELEVATION



SECTION ALONG PIPE LENGTH

MIN. ANCHOR BLOCK DIMENSIONS (GUIDE ONLY)											
PIPE SIZE	600	750	900	1050	1200	1350	1500	1650	1800	1950	2100
T	150	200	200	200	200	200	200	300	300	300	300
W	150	200	200	200	200	200	200	300	300	300	300

NOTES:

1. CONCRETE SHALL BE 25MP_a MIN.



DRAINAGE STANDARD DRAWING
ANCHOR BLOCK
(FOR PIPE GRADE STEEPER
THAN 1 IN 10)

DRG NO. **7251/8/321** REV **A**
 Scale N.T.S.

A	Developed for LDM 2007	08.07
REV	NOTE	DATE